



## Owner's Manual



**Manufactured by:**  
Clairitech Innovations Inc.  
1095 Ohio Rd.  
Boudreau-West, NB  
Canada E4P 6N4

## Table of Contents

<b>Table of Contents</b>	<b>1</b>
<b>Service and Warranty</b>	<b>2</b>
FOR CUSTOMER ASSISTANCE	2
CONSUMER LIMITED WARRANTY	3
<b>Before Installing</b>	<b>5</b>
TECHNICAL DATA	5
RECOMMENDED TOOLS REQUIRED FOR INSTALLATION	5
INCLUDED PARTS LIST	5
IDEAL INSTALLATION LOCATION	5
WARNINGS FOR USE	6
<b>Installation</b>	<b>7</b>
<b>How to Operate the Humidex</b>	<b>8</b>
<b>Wiring Diagram</b>	<b>9</b>
<b>Return and exchange Policy</b>	<b>10</b>

## Service and Warranty

### For customer assistance

To aid in answering questions if you call for service or warranty purposes, please record below the model and serial number located on the side of the unit.

Product name:
Model #:
Date of manufacturing:
Serial #:
Dealer name (if any):

### For the following inquiries:

- Service
- Parts
- Accessories
- Additional customer information

### Please contact us by:

Phone: 1-888-533-1348

Email: [support@clairitech.com](mailto:support@clairitech.com)

Website: [www.humidex.com](http://www.humidex.com)

## Humidex

---

### **Consumer Limited Warranty**

Clairitech Innovations Inc. warrants to the first consumer that this Humidex product, when shipped in its original container, will be free from defective workmanship and materials, and agrees that it will, at its discretion, either repair the defect or replace the defective product or part thereof with a new or remanufactured equivalent at no charge to the purchaser for parts or labor for the period(s) set forth below. All transportation charges are the sole responsibility of the purchaser.

This warranty does not apply to any appearance item of the product nor to any additional excluded item set forth below of which has been damaged, defaced, subjected to improper voltage, abnormal service or handling, or which has been altered or modified in design or construction.

In order to enforce the rights under this limited warranty, the purchaser should follow the steps set forth below and provide proof of purchase to the servicer.

Neither the sales personnel of the seller nor any other person is authorized to make any warranties other than those described herein, or to extend the duration of any warranties beyond the time period described herein on behalf of Clairitech Innovations Inc.

## Humidex

---

The warranties described herein shall be the sole and exclusive warranties granted by Clairitech and shall be the sole and exclusive remedy available to the purchaser. Correction of defects, in the manner and for the period of time described herein, shall constitute complete fulfillment of all liabilities and responsibilities of Clairitech to the purchaser with respect to the product, and shall constitute full satisfaction of all claims, whether based on contract, negligence, and strict liability or otherwise. In no event shall Clairitech be liable, or in any way responsible, for any damages or defects in the product which were caused by repairs or attempted repairs performed by anyone other than an authorized servicer. Nor shall Clairitech be liable or in any way responsible for any incidental or consequential economic or property damage.

Warranty period for this product:	Two (2) years on parts and labor from date of purchase.
Additional items excluded from warranty coverage (if any):	Appearance items of the product, exterior vent and any printed material.
Where to obtain service:	From the manufacturer. Please call 1-888-533-1348 if you require any information.

To obtain supply, accessory or product information, call 1-888-533-1348 or visit our website at [humidex.com/en/services](http://humidex.com/en/services) .

### **IMPORTANT**

To properly validate your warranty, you must fill out and return the warranty card as soon as possible. If your unit is not registered, a proof of purchase will be necessary should it require any services. You can also register your warranty online <http://www.clairitech.com/register> .

## Humidex

---

### Before Installing

#### Technical data

Voltage:	115VAC
Amperage	0.26A
Certification:	QPS File# LR1079
Dimensions:	9" x 6.5" x 4"
Capacity:	Up to 750 sq. ft.

#### Recommended tools required for installation

- 1/4" pilot drill bit of 12 inches or more
- Hole saw with a diameter of 4 1/2", reciprocal saw or, jig saw
- Measuring tape
- Hammer
- Screwdriver

#### Included parts list

Garage Ventilation System	Manual
4" Exhaust Vent	6x #8x9/16" mod white screws
1Pc. Aluminum Tape	4x #6x2" woodscrew
Control Knob	2x #8x1-1/4" truss screws
Humidity Label	2x #8x1-1/4" yellow anchors
Warranty Card	1pc. 4" vinyl flex

#### Ideal installation location

When looking for a location to install your new Humidex, make sure to place it on an outside wall so that the unit can exhaust its air outside. The unit should be installed near an electrical outlet and, if possible, in the dampest location. The unit should be installed no higher than 12 inches off the floor.

## Humidex

---

### Warnings for use

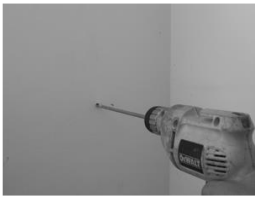




The following warnings will help reduce the risk of fire, electric shock or injury. Please read and save these instructions.

- 1) Do not operate any unit with a damaged cord or plug. Please contact our service department for examination and/or repair.
- 2) Do not run cord under any object, which include but limited to, carpets, furniture, appliances etc. Arrange cord away from traffic area.
- 3) The unit **MUST** exhaust the air outside.
- 4) Do no vent exhaust air into spaces within walls, ceilings, attics, crawl spaces or garages.
- 5) For general ventilating use only. Do not use to exhaust hazardous or explosive materials and vapors.
- 6) For use in non-fire rated installations only.
- 7) Use this unit only in the manner intended by the manufacturer.
- 8) When cutting or drilling into wall, do not damage electrical wiring or other hidden utilities.
- 9) Always unplug the unit from its power source before cleaning or servicing.
- 10) To reduce the risk of electrical fire or shock, do not use fan with any solid state speed control device.
- 11) Plug the unit in a general use receptacle provided with a Class A ground-fault circuit interrupter (GFCI) with open neutral protection.

## Humidex

### Installation

Please follow these instructions to install your Humidex properly.

	<p>1. From the inside, mark where the center of the Humidex will be placed and drill through the wall with a 1/4" x 12" pilot bit. The hole should be approximately 12 inches from the floor. Cut a 4 1/2" hole through the wall.</p>
	<p>2. From the inside, place the Humidex against the wall in the mounting position and mark where the pilot screws will be placed. Keep in mind that the knob will be going on the right hand side. Drill 1/4" holes, and apply anchors with a hammer.</p>
	<p>3. Use tape to fasten the flex pipe over the exhaust outlet on the back of the Humidex and fasten 3 screws around the tape into the outlet collar. Place Humidex into the predrilled hole and then secure appliance by fastening to the anchors.</p>
	<p>4. From the outside, stretch and cut any excess flex pipe. Proceed to place vent collar into the flex and securing in its correct position by taping and screwing into the vent collar.</p>
	<p>5. Place all 4 #6 x 2" screws in a diagonal pattern to prevent vent twisting, and to acquire the best fit around your siding. After placing in the final screw, use caulking to properly seal around the vent.</p>

\*The garage ventilators picture may not be exactly as shown



## Humidex

---

### How to Operate the Humidex

After both the Humidex and the exhaust vent are properly installed. You can install the humidity label that came inside with the unit. After the label is properly affixed, you can install the control knob onto the Humidex.



- Humidity label



- Control knob

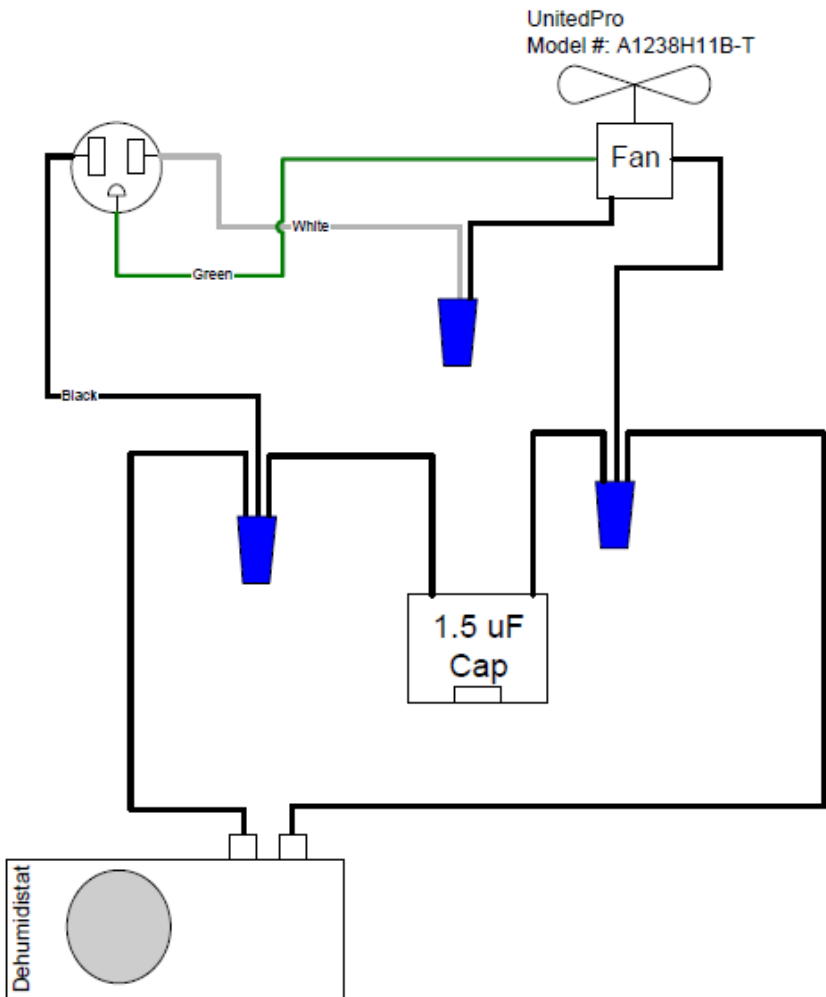
After installing the decal and knob, plug the Humidex in the closest outlet. Set the dial to your humidity preference. If you wish to have the unit on for a continuous basis, turn the dial fully to the right (20%). If you would like it to run to its minimal capacity, turn the dial fully to the left (80%).

Manufacturer's suggested setting is to be placed between 40% and 60% (comfort zone).

The Humidex garage and multipurpose humidity control unit will reduce moisture levels inside your garage or shed. Whether you want to keep your wood dry for your furnace or just want a dryer space, Humidex is the unit that can make it possible.

# Humidex

## Wiring Diagram



## Return and Exchange Policy

Clairitech Innovations Inc. values its relationship with you and offers you the option to return most products you purchase directly from Clairitech Innovations Inc., as set forth in detail below.

### Policy

#### **Return period of 30 days for unused products and accessories:**

Unless you have a separate agreement with Clairitech Innovations Inc., or subject to the provisions below, all equipment and accessories that have not been used, in new condition and in their original packaging may be returned to Clairitech Innovations Inc. within 30 days of the date of purchase for a refund of their purchase price, an equivalent credit note or the exchange of the product, less shipping and handling charges, resupply fee and applicable taxes, if already paid.

#### **Return period of 15 days for defective or damaged products and accessories:**

Requests for refund and/or exchange for defective or damaged merchandise can be made within 15 days of receipt of the merchandise. After 15 days, the manufacturer's warranty applies.

Note: Any product returned to Clairitech Innovations Inc. without the prior permission of Clairitech Innovations Inc. will be considered an unauthorized return; the customer will not receive any refunds or credit notes for the product and Clairitech Innovations Inc. will not return the product to the customer.

#### **Damaged products and accessories:**

If you have received damaged items, please contact us by phone or email before destroying or discarding the product and/or packaging. Failure to comply could see your request denied.

### Fees

Unless the product is defective or the return is a direct result of a Clairitech Innovations Inc., the refund or credit does not include any shipping and handling charges shown on your packing slip or invoice; you are responsible for those and for any damages incurred during the return shipment.

### Procedure

1. Before returning a product, you must first obtain a Return Authorization Number from Clairitech Innovations Inc. Customer Service before the end of the applicable return period. Proof of purchase will also be required.

To contact Clairitech Innovations Inc. Customer Service, please call **1-888-533-1348** or [Email Us](#)

Any product returned to Clairitech Innovations Inc. without the prior approval of Clairitech Innovations Inc. will be considered an unauthorized return; the customer will not receive any credit or refund for the product and Clairitech Innovations Inc. will not return the product to the customer.

2. Pack the product in its original package
  3. Insert all the documents received concerning the order to be returned. Remember to keep a copy of all the documents provided.
  4. To obtain a full refund, the products must be returned in perfect condition, in their original packaging and with all documents, parts and accessories.
  5. The return costs must be prepaid; we will not accept deliveries paid at the reception.
  6. For your protection, we advise you to provide the shipping service
- 
7. Five days after the date of issue of the return authorization number Clairitech Innovations Inc. Customer Service, you must send the product to the following address:

Humidex

---

**ClairiTech Innovations Inc.**  
**1095 ch. Ohio Service Rd**  
**Boudreau Ouest, NB**  
**E4P 6N4 - Canada**

8. Upon receipt of your authorized and compliant return, Clairitech Innovations Inc will issue a credit or refund equal to the purchase price paid, less shipping and handling charges, restocking charges and applicable taxes subject to this policy.

9. For assistance please call **1-888-533-1348** or [Email Us](#)

10. For any questions regarding warranty terms please call **1-888-533-1348** or [Email Us](#)

**NO RETURNS ARE POSSIBLE AFTER 30 DAYS FOLLOWING THE DATE OF THE BILLING DATE.**

**CLAIRITECH INNOVATIONS SHALL NOT BE LIABLE FOR, OR ANY CHARGE OF, A CONSUMER ORDER ERROR.**